

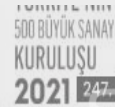
SARAY[®]
all about **aluminium**

SARAY[®]
all about **aluminium**

since
1980

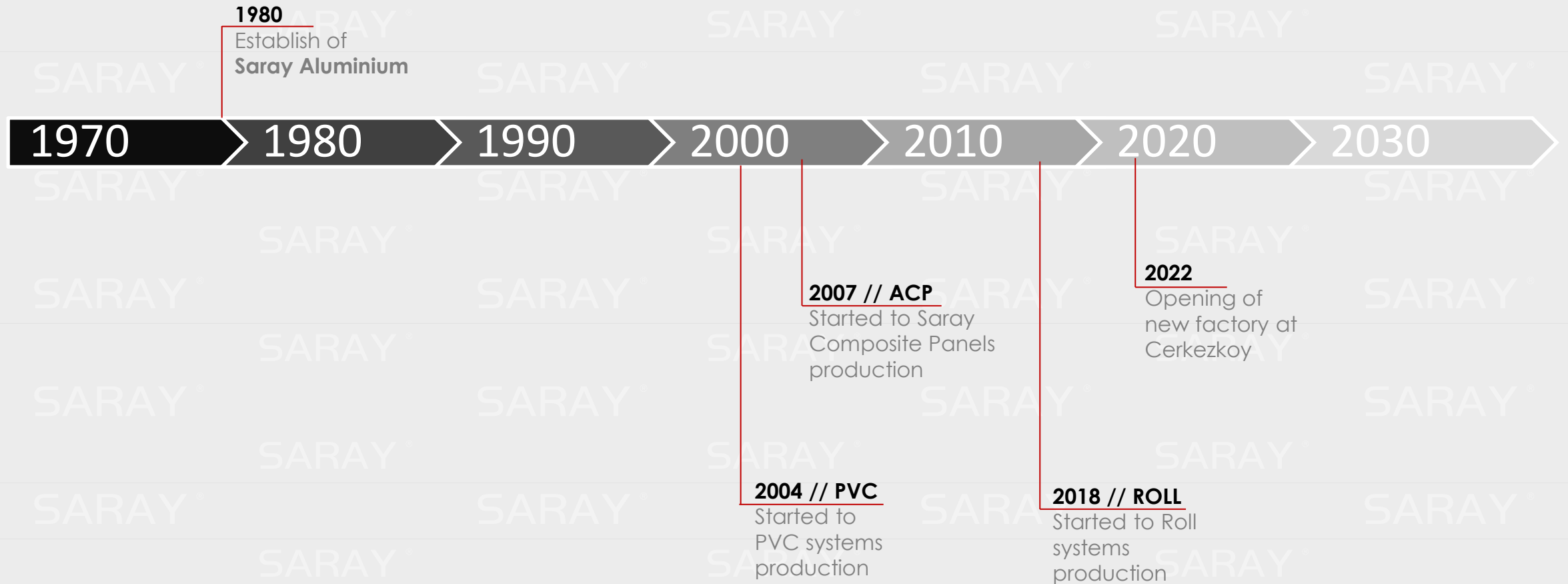
Since 1980, **Saray Aluminium** has been playing a major role about building the architectural structures of the future with its pioneering and innovative interior and exterior solutions. Saray Aluminium door, window, facade and handrail systems, aluminum composite panel and cladding systems, PVC door and window systems, shutter systems, machinery, lighting, elevator etc. produces industrial and standart cross-section profiles that the market needs.

Saray Aluminium, is among the top 500 companies in Turkey, exports to more than 60 countries all over the world, and receives **the Star of Export** award every year with its high export figures. Saray Aluminium, has **CE, ISO 9001, Qualanod, Qualicolat, TSEN 755, TSEN 12020, SEPRO and GOST-R** quality certificates, produces in a closed area over 100.000 m² in Istanbul Gunesli and Tekirdag Cerkezkoy. Saray Aluminium is a highly experienced company of aluminium anodizing, aluminium electrostatic powder coating, aluminium extrusion, aluminium billet casting, aluminium composite panel, facade system, roller shutter and PVC extrusion production facilities.



SARAY MILESTONES

SARAY[®]
all about aluminium



SARAY = "SOLUTION CENTER"

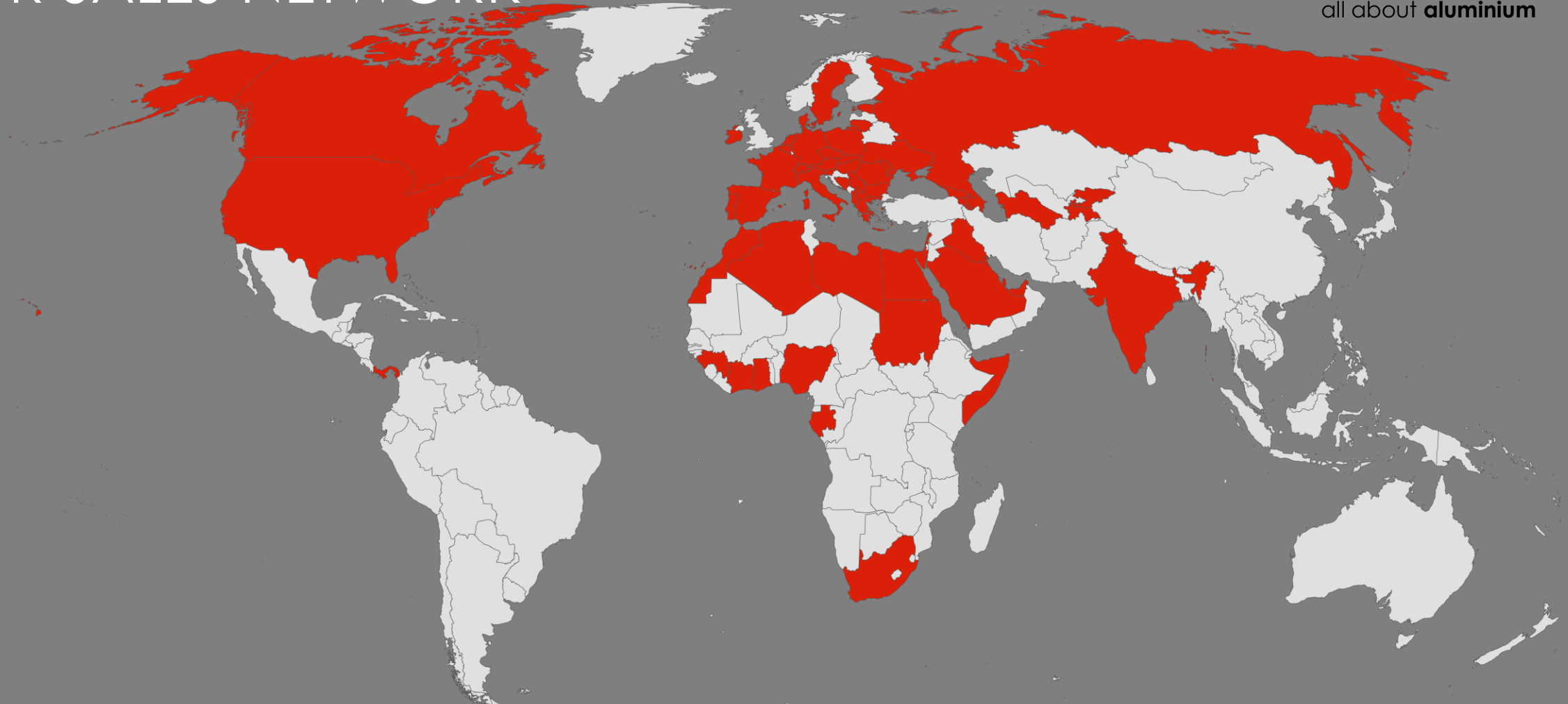
SARAY[®]
all about aluminium



SARAY ALUMINIUM has been playing a major role in the construction of future buildings with its leading and innovative interior & exterior **Architectural Solutions.**

OUR SALES NETWORK

SARAY[®]
all about aluminium



SARAY is among the first Turkey's Top 200 Industrial Enterprises and exports %55 of total production **more than 60 countries** in Europe, Asia, Africa; with its high export amounts Saray receives the "Export Stars of Turkey" award in every year.

Green Building Assessment

SARAY[®]
all about aluminium

All Saray Group products have the **EPD** (Environmental Product Declaration) certificate, which is required by the **LEED**, **BREEM**, **DGNB** and **CEDBIK** green building assessment systems.



CO₂
CLIMATE NEUTRAL



Certificates

SARAY[®]
all about aluminium



BELGE NUMARASI REFERENCE NUMBER OF LICENCE	902849-TSE-0701
BELGENİN İLK VERİŞİŞ TARİHİ DATE OF FIRST ISSUE OF LICENCE	10.05.2021
BELGENİN SON GEÇERLİLİK TARİHİ LICENCE VALID UNTIL	11.05.2025
BELGE SAHİBİ KURULUŞUN ADI NAME OF THE LICENCE HOLDER	SARAY DÖKÜM VE MADENİ AKSAM SANAYİ TURİZM ANONİM ŞİRKETİ
BELGE SAHİBİ KURULUŞUN ADRESİ ADDRESS OF THE LICENCE HOLDER	BAĞLAR MAHSİYETİ OSMAN PAŞA CAD. NO:89/11 BAĞCILAR İSTANBUL/TÜRKİYE
ÜRETİM YERİ ADI NAME OF THE MANUFACTURING PLACE	SARAY DÖKÜM VE MADENİ AKSAM SANAYİ TURİZM ANONİM ŞİRKETİ
ÜRETİM YERİ ADRESİ ADDRESS OF THE MANUFACTURING PLACE	VELKÖY SANAYİ BÖLGESİ SANAYİ BULVARI NO:29 ÇERKEZKÖY TEĞİRDAĞ / TÜRKİYE
İPTAL EDİLEN BELGE NUMARASI (Varsa) INDICATION OF SUPERSEDED LICENCE (If any)	
TESCİLLİ TİCARİ MARKASI REGISTERED TRADE MARK	saray
İLİLGİLİ TÜRK STANDARDI RELATED TURKISH STANDARD	TS EN 12008-1 / 08.04.2018
BELGE KAPSAMI SCOPE OF LICENCE	PENCERE VE KAPILARIN FABRİKASYON OLARAK İMALATINDA KULLANILAN SERT POLİMERLER (PVC-Ü) PROFİLLER <ul style="list-style-type: none">- TAZE (VİRGİN) MALZEME- İKLİM BÖLGESİ SINIFI: SERT İKLİM 5- DARBE MUKAVEMETİ SINIFI: II- DİĞER KALINLIĞI SINIFI: A

e-invoice signed
11.05.2022

Belgelendirme Merkezi Başkanı Adına
MERİÇ KARACAN
TSE İSTANBUL BELGELENDİRME MÜDÜRÜ

*Bu belge, belgelendirilen ürünün, Ürün Yürütme ve Denetim Kuruluşu tarafından yapılan denetimlere tabidir.
*Bu belge, "TSE EN 12008-1" standardına uygun olarak üretilen ve piyasaya sürülen ürünlerin kalite ve güvenini garanti eder.
*Bu belge, "TSE EN 12008-1" standardına uygun olarak üretilen ve piyasaya sürülen ürünlerin kalite ve güvenini garanti eder.
*TSE BELGELENDİRME MERKEZİ Adres: Büyükdere Cad. No:113 Üsküdar / İstanbul / TÜRKİYE | Telefon: +90 212 495 34 37 | Faks: +90 212 495 34 38 | E-posta: info@tse.org.tr

Information about the company: Saray Döküm ve Madeni Aksam Sanayi Turizm A.Ş. | Saray Döküm ve Madeni Aksam Sanayi Turizm A.Ş. | Saray Döküm ve Madeni Aksam Sanayi Turizm A.Ş.



1 / 1

Certificate of Registration



İşbu belge,

Saray Döküm ve Madeni Aksam Sanayi Turizm A.Ş., Trading As "Sarplas", "Saraypen", "Saraybond" and "Aluface"

Veliköy Sanayi Bölgesi Sanayi Bulvarı No:29 Veliköy, Çerkezköy, Teşvikiye, Türkiye

(Bu Sertifikayı birden çok işyeri sertifikasyonundan bir parçası olarak değil için 7433 nolu sertifikaya bakınız.)

Kalite Yürütme Sistemleri

Pvc profil sistemleri , AL-PE-AL kompozit panelleri üretimi , Alüminyum profil üretimi ve ekoaksi kaplanması ve boyanması ve panjur ve panjur sistemleri üretimi

Uygulanması

ISO 9001:2015

İstikrarlı olarak NQA tarafından değerlendirildiğini ve tesisi doğrultusunda

Bu tesisi ile ilgili, kalite yönetim sistemi, yukarıda anılan standartları yöneten NQA'nın denetiminde

akademik olarak

Uygunluk için bu sertifikayı İngilizce dilinde de yayımlanacaktır

Sertifika No: 7433/1
ISO 9001:2015
Yeniden Yayın: 26 Haziran 2022
Çapı: 100x150 mm
EAC Kalite: 54,17

Managing Director



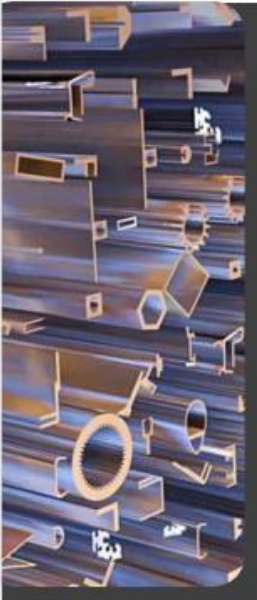
The use of the UKAS Accredited Mark indicates accreditation in respect of those activities covered by the accreditation certificate number 075 held by NQA. NQA is a trading name of NQA Certification Limited, Registered Office, 2025/18A, Poppleton Office, 20-22 Broadwater, London W6 1R 4BE. The certificate is the property of TVQA and must be returned on request.

Certificates

SARAY®
all about aluminium



SARAY® ENVIRONMENTAL
PRODUCT
DECLARATION



In accordance with ISO 14025 and EN 15804:2012+A2:2019 for

White PVC Profiles

Programme:
The International EPD® System
www.environdec.com

Programme Operator:
EPD International AB

Local Operator:
EPD Turkey

S-P Code:
S-P-4089

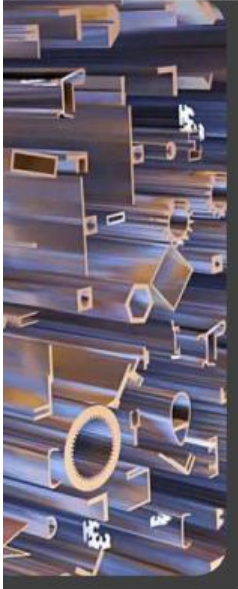
Publication Date:
04-09-2021

Validity Date:
03-09-2026

TURKEY EPD®
ENVIRONMENTAL PRODUCT DECLARATIONS

EPD®
THE INTERNATIONAL EPD® SYSTEM

SARAY® ENVIRONMENTAL
PRODUCT
DECLARATION



In accordance with ISO 14025 and EN 15804:2012+A2:2019 for

Laminated PVC Profiles

Programme:
The International EPD® System
www.environdec.com

Programme Operator:
EPD International AB

Local Operator:
EPD Turkey

S-P Code:
S-P-4088

Publication Date:
04-09-2021

Validity Date:
03-09-2026

TURKEY EPD®
ENVIRONMENTAL PRODUCT DECLARATIONS

EPD®
THE INTERNATIONAL EPD® SYSTEM

Color Chart

SARAY[®]
all about aluminium



IC 01 Akar Meşe
Solar Oak
صاج قاج



IC 02 Meşe
Mahogany
صاج عسقل / قاج



IC 05 Akik Meşe
Cool Teak
نورس قاج



IC 06 Ağaç Tili
Ağaç Teak
تلاشيك عسقل



IC 07 Ceviz
Walnut
قاج



IC 08 Antrasit
Cool Grey
انترسات قاج



IC 10 Vizon
Brindle Grey
زيمادي قاج



IC 11 Düs Antrasit
Cool Grey
انترسات عادي



IC 12 Antik Meşe
Antik Oak
نورس قاج



IC 13 Samur Mavi
Sakle Blue
الازرق السمور



IC 14 Siyah Haveli
Black Brown
انوار قاج



IC 15 Jet Siyah
Jet Black
انوار قاج

Ekranda ve basılı katalogda görünen renkler, gerçek renkten biraz farklı olabilir.

Colours which display on the screen and printed catalogue may be slightly different from actual colour.

PVC PROFILE MANUFACTURER FACILITIES

SARAY[®]
all about aluminium

PVC Profile Manufacture
20.000 Tonnes/Year

SARAY continues to produce with **18 extruder lines** whose annual capacity of 20.000 tonnes/year

Saray certified its top-level production quality with domestic and international certificates and because of that leads export operations to Europa, Russia, Middle East, Africa, Balkans and Central Asia.

Systems

SARAY[®]
all about **aluminium**

SARAY OFFERS UNLIMITED OPENING SOLUTIONS TO ITS CUSTOMERS WITH ITS 7 DIFFERENT PROFILE SYSTEMS SUCH AS;

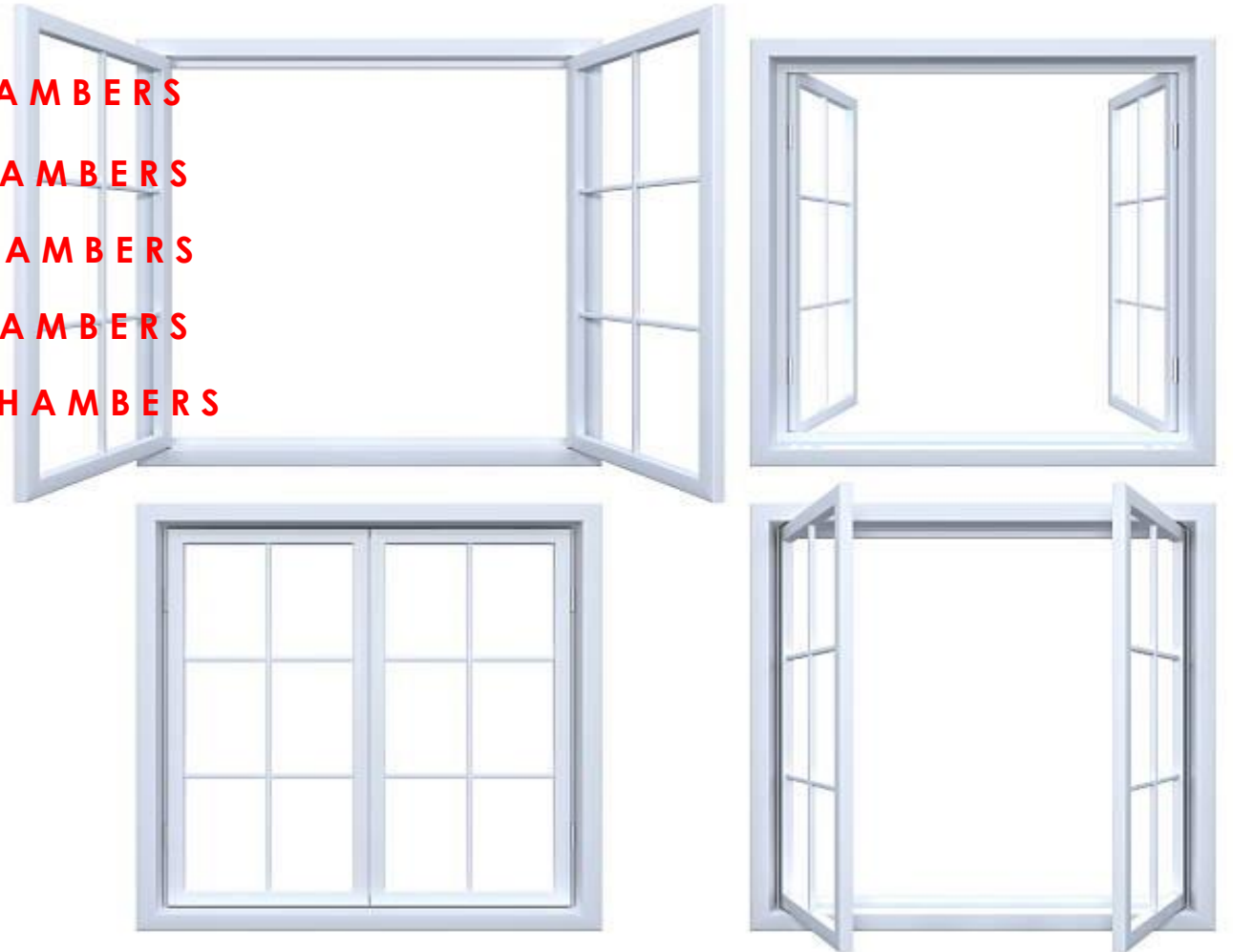
- 5 DIFFERENT CASEMENT SYSTEMS RANGING FROM 60 MM TO 76 MM.
- 2 DIFFERENT SLIDING SYSTEMS RANGING FROM LIFT SLIDE TO PARALLEL SLIDING.
- SHUTTER AND ROLLER SHUTTER SYSTEMS.



Index

SARAY[®]
all about aluminium

- 1) OPTIMUM S50 60MM CASEMENT 3 CHAMBERS
- 2) PREMIUM S30 60MM CASEMENT 3 CHAMBERS
- 3) OPTIMUM S70 70MM CASEMENT 4 CHAMBERS
- 4) PREMIUM S70 70MM CASEMENT 5 CHAMBERS
- 5) SELECTIVE S76 70MM CASEMENT 6 CHAMBERS
- 6) S750 SLIDING 75 MM 3 CHAMBERS
- 7) S790 SLIDING 92 MM 5 CHAMBERS



Selective S76

SARAY[®]
all about aluminium

The new generation SARAY SELECTIVE series not only provide superior performance in all climatic conditions, but also add beauty and value to buildings with their sophisticated profile design. Selective series, as the name suggests, is an outstanding and highly qualified product and has emerged as a result of long R&D studies. It is the window system with the highest performance designed for qualified and valuable buildings. It is a window system with the highest air permeability, water tightness, wind resistance and thermal insulation coefficient thanks to its triple seal feature, 76mm frame depth, drip wing and six chambers.

Yeni jenerasyon SARAY SELECTIVE serileri ile yapılan pencereler tüm iklim koşullarında üstün performans sağlamakla kalmaz aynı zamanda sofistike profil tasarımı ile yapılara güzellik ve değer katar. Selective serileri adından da anlaşılacağı gibi seçkin ve çok nitelikli bir ürün olup uzun Arge çalışmaları sonucu ortaya çıkmıştır. Nitelikli ve değerli binalar için tasarlanmış en üstün performansa sahip pencere sistemidir. Üç contalı olma özelliği 76mm kasa derinliği damlalıklı kanadı ve altı odacıklı olması sayesinde hava geçirimi, su sızdırmazlığı, rüzgar direnci ve ısı yalıtım katsayısı en üstün pencere sistemidir.



Selective S76

Frame Width	76 mm / Middle Gasket	Optimum Heat Insulation	With 6 chambers, 76 mm casing depth, 84 mm wing depth and polyurethane foam filling method (SLP), the best heat insulation is provided.
Chambers numbers	6	Original Design	The lines used in the designs of the profiles give the window a sophisticated and original appearance. Variety of images is provided with multi-option foil coating alternatives.
UF Value	0,92 W/m ² K	Effective Noise Isolation	Effective noise isolation is provided thanks to 3 glass options and polyurethane foam inside the profile.
UW Value	0,80 W/m ² K	Security	Window profiles are designed to be compatible with special security accessories. In this way, security is provided.
Air Permeability	Clas 4 (EN 12207)	Perfect Sealing	A perfect sealing is achieved with three specially designed gaskets.
Water Permeability	Clas 9A (EN 12208)	Easy Cleaning	Easy to clean thanks to high quality surface profiles.
Wind Load Permeability	Clas C4 / B4	Adds Value	Windows consisting of profiles made of high quality lead-free formula add value to your buildings.
Mechanical Strength	Clas 4	Durability	Optimized profile wall thicknesses, the support sheet design and the aluminum profiles used in alustyle, superior durability is achieved in the windows.
Theft Security	RC2	76 mm	76 mm is an optimized profile depth. It can be used in both new buildings and renovations. It provides an ideal performance in every sense in the window.
Sound insulation	Without Steel Support Sheet Rw.p= up to 47 Db (with glazing Rw = 50 Db)	Compatibility	EURO standard accessory channels on the profiles, it is compatible with all kinds of accessories and opening mechanisms sold in the world.
Energy-saving	up to 75%		



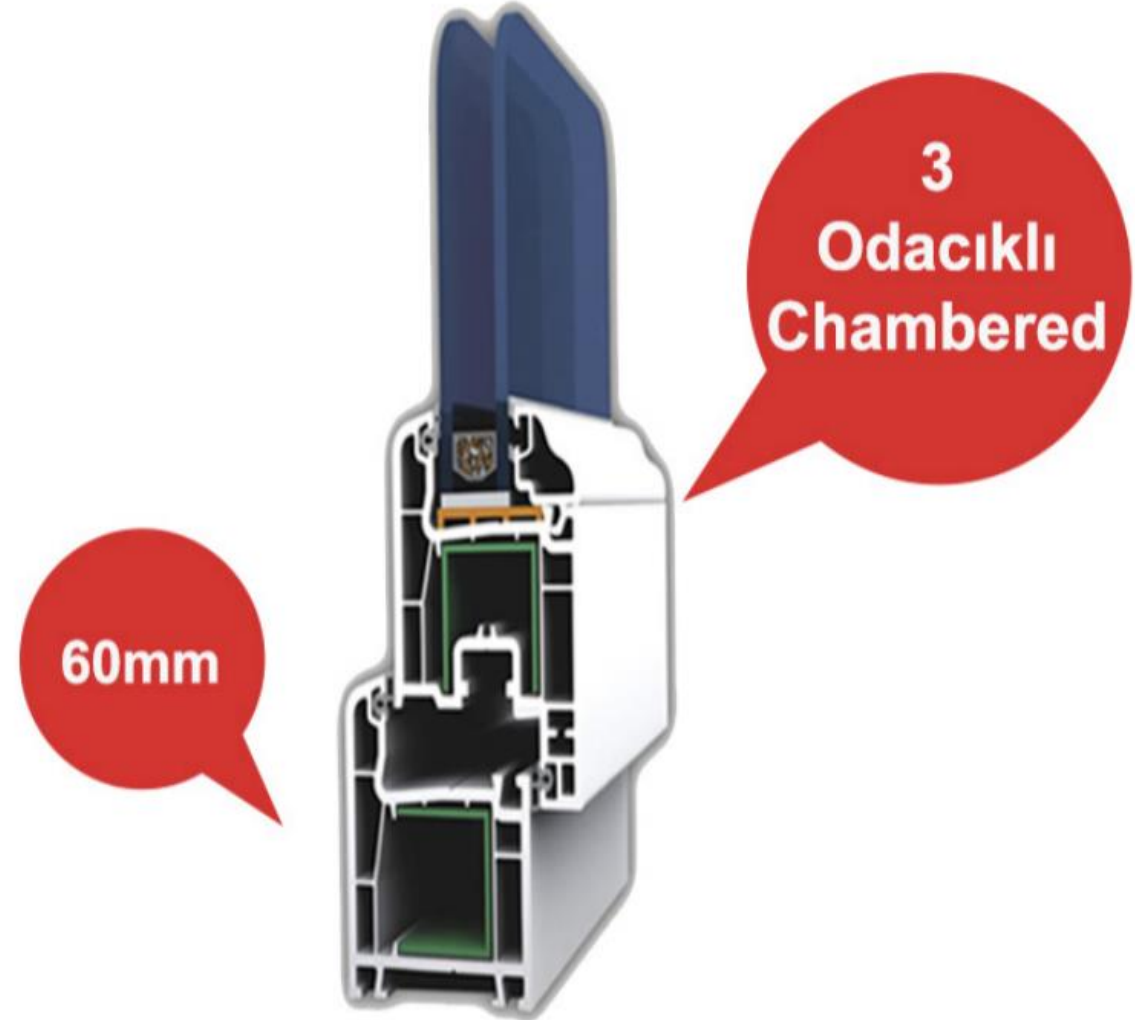
Optimum S60

OPTIMUM 60 PVC Window and PVC Door Systems is a series designed as optimum technical solutions and cost and performance product in windows and doors with all main profiles with 60mm width and 3 chambers. Thanks to its perfect design and aesthetics, it easily adapts to the style of your spaces. The system has been thought in harmony down to the smallest detail. It is produced with TPE gasket and provides sealing with corner welding. It has a perfect and aesthetic design that can appeal to all tastes with its decorative and self-sealing laths. It supports many auxiliary profiles, it has a functional structure that you can use in all your projects. It has a slope that facilitates water drainage.

OPTIMUM 60 Pvc Pencere ve Pvc Kapı Sistemleri, 60mm genişliğinde ve 3 odacıklı tüm ana profilleri ile pencere ve kapılardaki optimum teknik çözümler ve maliyet ve performans ürünü olarak tasarlanmış bir seridir. Mükemmel tasarım ve estetiği sayesinde mekanlarınızın tarzına kolayca uyum sağlar. Sistem, en ince ayrıntısına kadar uyum içinde düşünülmüştür. TPE contalı üretilmekte olup köşe kaynağı ile sızdırmazlık sağlar. Dekoratif ve kendinden contalı çıtalarıyla her zevke hitap edebilen kusursuz ve estetik dizayna sahiptir. Birçok yardımcı profili destekler, tüm projelerinizde kullanabileceğiniz fonksiyonel bir yapıdadır. Su tahliyesini kolaylaştıran eğime sahiptir.



SARAY[®]
all about aluminium



OPTIMUM 60

SARAY[®]
all about **aluminium**

Air Permeability	Clas 4 (EN 12207)	Perfect Sealing	A perfect sealing is achieved with three specially designed gaskets.
Water Permeability	Clas 9A (EN 12208)	Easy Cleaning	Easy to clean thanks to high quality surface profiles.
Wind Load Permeability	Clas C4 / B4	Adds Value	Windows consisting of profiles made of high quality lead-free formula add value to your buildings.
Mechanical Strength	Clas 4	Durability	Optimized profile wall thicknesses, the support sheet design and the aluminum profiles used in alustyle, superior durability is achieved in the windows.
Frame Width	60 mm	Superior Insulation	OPTIMUM 60 Window and Door Systems provides performance in heat and sound insulation with its 3-chamber profiles. Durable and flexible gaskets with high UV resistance, resistance to variables such as humidity or ambient temperature are used. Thanks to the elastic gaskets in gray and black colors that do not leave stains, a high level of air, water, sound and dust insulation is provided.
Chambers No	3	Design and Static Power	OPTIMUM 60 Window and Door Systems enables spacious spaces by enlarging the glass area with its optimized PVC door profile height. It provides visual integrity on the interior surface and joinery-wall joints with its self-rimmed frame profile. It is a series with a specially designed facade medium registration profile that provides high resistance to wind load in high-rise buildings.
Profile Class	B Class (TS EN 12608-1)	Accessory	You can choose all domestic and foreign window and door handles in different colors to adapt to the architectural line of your home. You can control the light by being in full harmony with the palace blinds system. It is suitable for mosquito net system application.
Gasket System	Inner-Outer 2 seal system	Gasket Type / Color	TPE Gray - Black



Premium S30

Premium 3-chamber systems with a depth of 60mm. There are too many patterns in the system that you can use as an alternative. Profile options are available in different wall thicknesses from 3mm to 2.5mm. It has good sound and heat insulation and a good raw material formulation and is produced with Saray quality assurance..

Premium 60mm derinliğinde 3 odacıklı sistemlerdir. Sistemde alternatif olarak kullanabilin çok fazla kalıp vardır. 3mm den 2.5mme kadar değişik et kalınlığında profil seçenekleri mevcuttur. İyi bir ses ve ısı izolasyonuna ve iyi bir hammadde formülasyonuna sahip olup Saray kalite güvencesi ile üretilmektedir.

SARAY[®]
all about **aluminium**

60mm



3
Odacıklı
Chambered



PREMIUM 60

SARAY[®]
all about **aluminium**

Air Permeability	Clas 4 (EN 12207)	Perfect Sealing	A perfect sealing is achieved with three specially designed gaskets.
Water Permeability	Clas 9A (EN 12208)	Easy Cleaning	Easy to clean thanks to high quality surface profiles.
Wind Load Permeability	Clas C4 / B4	Adds Value	Windows consisting of profiles made of high quality lead-free formula add value to your buildings.
Mechanical Strength	Clas 4	Durability	Optimized profile wall thicknesses, the support sheet design and the aluminum profiles used in alustyle, superior durability is achieved in the windows.
Frame Width	60 mm	Superior Insulation	PREMIUM 60 Window and Door Systems provides performance in heat and sound insulation with its 3-chamber profiles. Durable and flexible gaskets with high UV resistance, resistance to variables such as humidity or ambient temperature are used. Thanks to the elastic gaskets in gray and black colors that do not leave stains, a high level of air, water, sound and dust insulation is provided.
Chambers No	3	Design and Static Power	PREMIUM 60 Window and Door Systems enables spacious spaces by enlarging the glass area with its optimized PVC door profile height. It provides visual integrity on the interior surface and joinery-wall joints with its self-rimmed frame profile. It is a series with a specially designed facade medium registration profile that provides high resistance to wind load in high-rise buildings.
Profile Class	A Class (TS EN 12608-1)	Accessory	You can choose all domestic and foreign window and door handles in different colors to adapt to the architectural line of your home. You can control the light by being in full harmony with the palace blinds system. It is suitable for mosquito net system application.
Gasket System	Inner-Outer 2 seal system	Gasket Type / Color	TPE Gray - Black

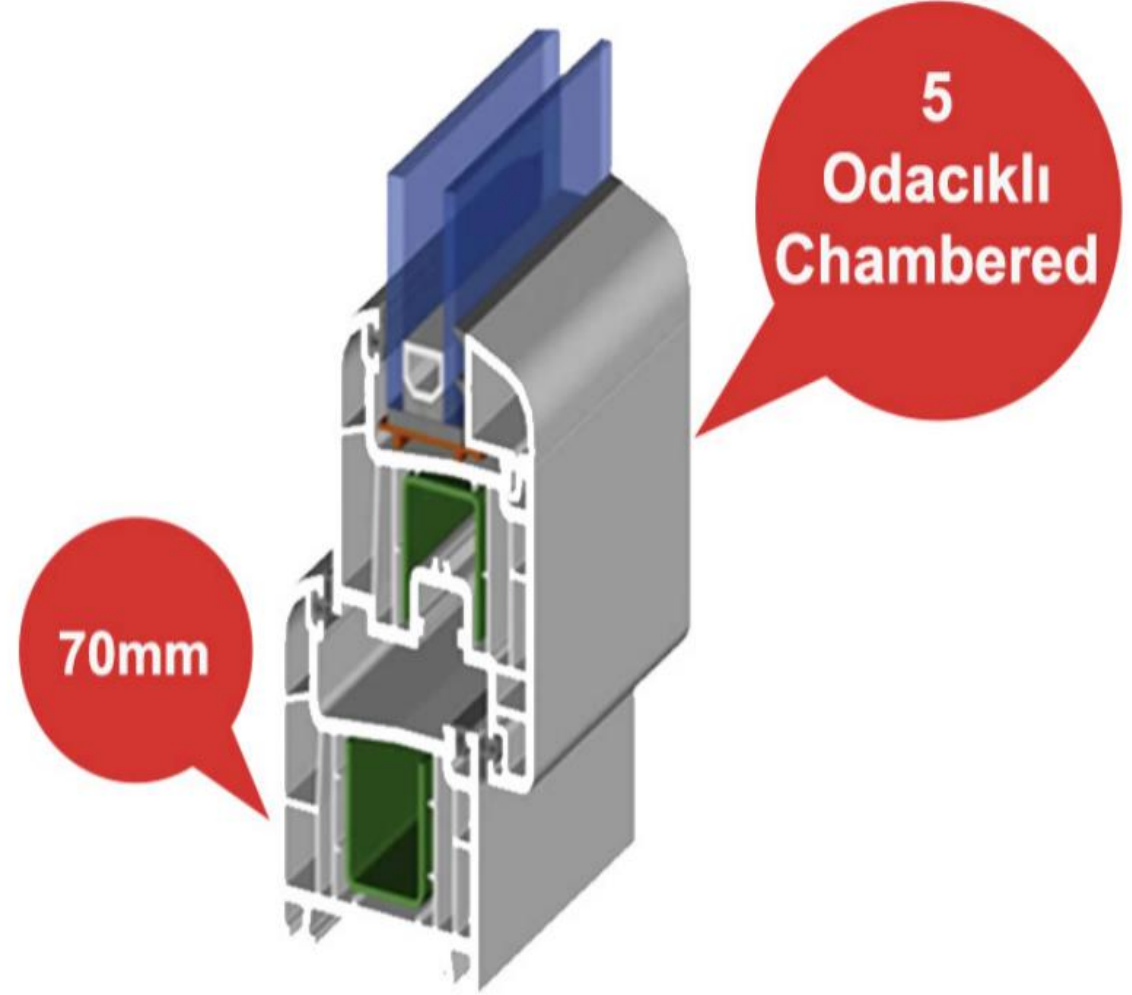


Optimum S70

5-chamber door and window system with a depth of 70mm. There are too many patterns in the system that you can use as an alternative. Profile options are available in different wall thicknesses from 3mm to 2.5mm. It has excellent sound and heat insulation and a good raw material formulation and is produced with Saray quality assurance.

70mm derinliğinde 5 odacıklı kapı ve pencere sistemidir. Sistemde alternatif olarak kullanabilin çok fazla kalıp vardır. 3mm den 2.5mme kadar değişik et kalınlığında profil seçenekleri mevcuttur. Mükemmel bir ses ve ısı izolasyonuna ve iyi bir hammadde formülasyonuna sahip olup Saray kalite güvencesi ile üretilmektedir.

SARAY[®]
all about **aluminium**



OPTIMUM 70

SARAY[®]
all about aluminium

Air Permeability	Clas 4 (EN 12207)	Perfect Sealing	A perfect sealing is achieved with three specially designed gaskets.
Water Permeability	Clas 9A (EN 12208)	Easy Cleaning	
Wind Load Permeability	Clas C4 / B4	Adds Value	
Mechanical Strength	Clas 4	Durability	Optimized profile wall thicknesses, the support sheet design and the aluminum profiles used in alustyle, superior durability is achieved in the windows.
Frame Width	70 mm	Superior Insulation	OPTIMUM 70 Window and Door Systems provide high performance in heat and sound insulation with its 5-chamber profiles. Durable and flexible gaskets with high UV resistance, resistance to variables such as humidity or ambient temperature are used. Thanks to the elastic gaskets in gray and black colors that do not leave stains, a high level of air, water, sound and dust insulation is provided.
Chambers No	5	Design and Static Power	OPTIMUM 70 Window and Door Systems allow spacious spaces by enlarging the glass area with the optimized PVC door profile height. It provides visual integrity on the interior surface and joinery-wall joints with its self-rimmed frame profile. It is a series with a specially designed façade mid-registration profile that provides high resistance to wind load in high-rise buildings. Especially in regions where wind path is high, the most suitable solutions can be easily reached with static mid-register and façade profiles.
Profile Class	B Class (TS EN 12608-1)	Accessory	You can choose all domestic and foreign window and door handles in different colors to adapt to the architectural line of your home. You can control the light by being in full harmony with the palace blinds system. It is suitable for mosquito net system application.
Gasket System	Inner-Outer 2 seal system	Gasket Type / Color	TPE Gray - Black

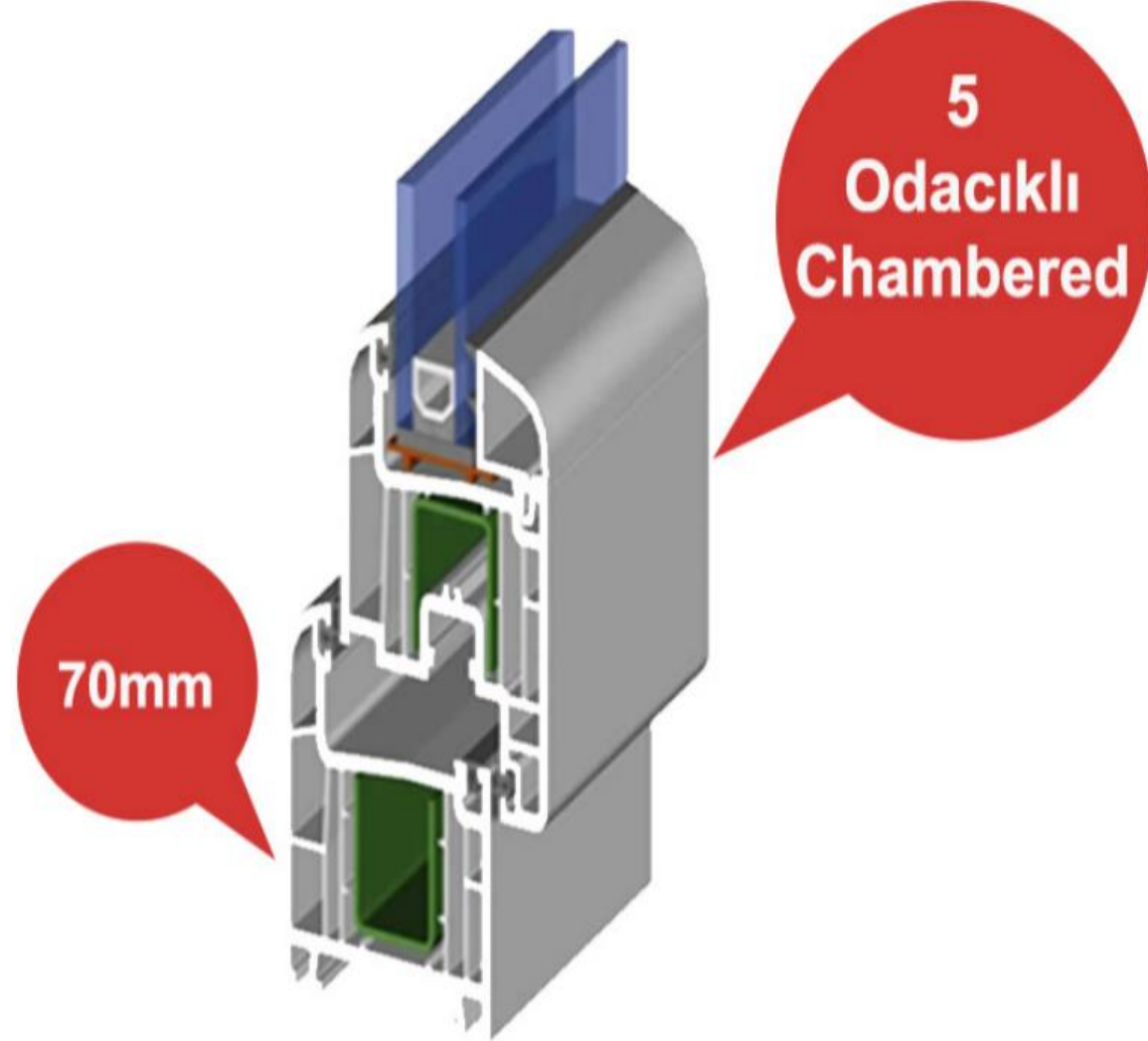


Premium S70

5-chamber door and window system with a depth of 70mm. There are too many patterns in the system that you can use as an alternative. Profile options are available in different wall thicknesses from 3mm to 2.5mm. It has excellent sound and heat insulation and a good raw material formulation and is produced with Saray quality assurance.

70mm derinliğinde 5 odacıklı kapı ve pencere sistemidir. Sistemde alternatif olarak kullanabilin çok fazla kalıp vardır. 3mm den 2.5mm e kadar değişik et kalınlığında profil seçenekleri mevcuttur. Mükemmel bir ses ve ısı izolasyonuna ve iyi bir hammadde formülasyonuna sahip olup Saray kalite güvencesi ile üretilmektedir.

SARAY[®]
all about **aluminium**



PREMIUM 70

SARAY[®]
all about **aluminium**

Air Permeability	Clas 4 (EN 12207)	Perfect Sealing	A perfect sealing is achieved with three specially designed gaskets.
Water Permeability	Clas 9A (EN 12208)	Easy Cleaning	Easy to clean thanks to high quality surface profiles.
Wind Load Permeability	Clas C4 / B4	Adds Value	Windows consisting of profiles made of high quality lead-free formula add value to your buildings.
Mechanical Strength	Clas 4	Durability	Optimized profile wall thicknesses, the support sheet design and the aluminum profiles used in alustyle, superior durability is achieved in the windows.
Frame Width	70 mm	Superior Insulation	PREMIUM 70 Window and Door Systems provide high performance in heat and sound insulation with its 5-chamber profiles. Durable and flexible gaskets with high UV resistance, resistance to variables such as humidity or ambient temperature are used. Thanks to the elastic gaskets in gray and black colors that do not leave stains, a high level of air, water, sound and dust insulation is provided.
Chambers No	5	Design and Static Power	PREMIUM 70 Window and Door Systems allow spacious spaces by enlarging the glass area with the optimized PVC door profile height. It provides visual integrity on the interior surface and joinery-wall joints with its self-rimmed frame profile. It is a series with a specially designed façade mid-registration profile that provides high resistance to wind load in high-rise buildings. Especially in regions where wind path is high, the most suitable solutions can be easily reached with static mid-register and façade profiles.
Profile Class	A Class (TS EN 12608-1)	Accessory	You can choose all domestic and foreign window and door handles in different colors to adapt to the architectural line of your home. You can control the light by being in full harmony with the palace blinds system. It is suitable for mosquito net system application.
Gasket System	Inner-Outer 2 seal system	Gasket Type / Color	TPE Gray - Black



S 750 Sliding

75 mm deep sliding system. A fixed movable or double sided wing can be applied. It has a mosquito net application. It is a system with a frame profile on the mosquito net rail with a depth of 79mm. It is more suitable for window construction. It is preferred because it is economical especially in hot regions.

It has been designed with 3 chambers and a seating width of 75 mm to be used in projects where sliding windows and doors are required. At the same time, it also appeals to the eye thanks to its decorative appearance and much more elegant design than its counterparts

S750 Sliding Window and Door Series produce solutions to meet all kinds of needs with various frame profiles. It is produced with TPE gasket and provides sealing with corner welding. It supports many auxiliary profiles and has a functional structure that you can use in all your projects. It has a slope that facilitates water drainage. It can work in harmony with mosquito nets, blinds and shutter systems. It has a perfect design in world standards that is compatible with all domestic or foreign accessories. S750 SLIDING Door and Window All profiles in the system comply with TS 5358 EN 12608.

It can be personalized with rich laminate and color options, and you can create special looks for your space. You can give your windows a natural look with wood-patterned laminated options, and you can get modern looks with solid colors such as anthracite and gray, or you can have aluminum-looking windows with metallic gray and add value to your spaces.

75 mm derinliğinde sürme sistem. Sabit hareketli veya çift taraflı kanat uygulanabilir. Sineklik uygulaması vardır. 79mm derinliğinde cıbnlık rayı üzerinde çerçeve profilli sistemdir. Pencere yapımı için daha uygundur. Özellikle sıcak bölgelerde ekonomik olduğu için tercih edilmektedir.

Sürgülü pencere ve kapı istenen projelerde kullanılmak üzere 3 odacıklı ve oturma genişliği 75 mm olacak şekilde tasarlanmıştır. Aynı zamanda dekoratif görünümü ve muadillerine göre çok daha şık tasarımı sayesinde göze de hitap etmektedir.

S750 Sürme Pencere ve Kapı Serisi, çeşitli kasa profilleri ile her türlü ihtiyaca cevap verecek çözümler üretmektedir. TPE contalı olarak üretilmekte olup köşe kaynağı ile sızdırmazlık sağlanmaktadır. Birçok yardımcı profili destekler ve tüm projelerinizde kullanabileceğiniz fonksiyonel bir yapıya sahiptir. Su tahliyesini kolaylaştıran bir eğime sahiptir.

Sineklik, panjur ve kepenk sistemleri ile uyumlu çalışabilir. Yerli ve yabancı tüm aksesuarlar ile uyumlu dünya standartlarında kusursuz bir tasarıma sahiptir. S750 SÜRME Kapı ve Pencere Sistemdeki tüm profiller TS 5358 EN 12608'e uygundur.

Zengin laminat ve renk seçenekleri ile kişiselleştirilebilir, mekanınıza özel görünümler yaratabilirsiniz. Ahşap desenli lamine seçenekleri ile pencerelerinize doğal bir görünüm kazandırabilir, antrasit ve gri gibi düz renkler ile modern görünüm elde edebilir ya da metalik gri ile alüminyum görünümlü pencerelere sahip olup mekanlarınıza değer katabilirsiniz.



SARAY[®]
all about **aluminium**



SLIDING S750

SARAY[®]
all about aluminium

Air Permeability	Clas 4 (EN 12207)	Perfect Sealing	A perfect sealing is achieved with three specially designed gaskets.
Water Permeability	Clas 9A (EN 12208)	Easy Cleaning	Easy to clean thanks to high quality surface profiles.
Wind Load Permeability	Clas C4 / B4	Adds Value	Windows consisting of profiles made of high quality lead-free formula add value to your buildings.
Mechanical Strength	Clas 4	Durability	Optimized profile wall thicknesses, the support sheet design and the aluminum profiles used in alustyle, superior durability is achieved in the windows.
Frame Width	70 mm	Superior Insulation	S 750 SLIDING Window and Door Systems, with its 3-chambered 75 mm wide profiles, provides performance in heat and sound insulation. Durable and flexible gaskets with high UV resistance, resistant to variables such as humidity or ambient temperature are used. Elastic gaskets in gray and black that do not leave stains It provides a high level of air, water, sound and dust insulation.
Frame Applications	S750	Sliding	Two rails / Fixed Partition / Fly Screen Frame / Frame with Sill
Chambers No	3	Design and Static Power	It provides visual integrity on the interior surface and joinery-wall joints with its self-rimmed frameprofile. It is a series with a specially designed facade medium registration profile that provides high resistance to wind load in high-rise buildings.
Profile Class	A Class (TS EN 12608-1)	Accessory	You can choose all domestic and foreign window and door handles in different colors to adapt to the architectural line of your home. You can control the light by being in full harmony with the palace blinds system. It is suitable for mosquito net system application.
Gasket System	Inner-Outer 2 seal system	Gasket Type / Color	TPE Gray - Black



S 790 Sliding

92 mm deep sliding system. A fixed movable or double sided wing can be applied. It has a mosquito net application. It is a system with a frame profile on the mosquito net rail with a depth of 92 mm. It is more suitable for window construction. It is preferred because it is economical especially in hot regions.

It has been designed with 5 chambers and a seating width of 92 mm to be used in projects where sliding windows and doors are required. At the same time, it also appeals to the eye thanks to its decorative appearance and much more elegant design than its counterparts. S790 Sliding Window and Door Series produce solutions to meet all kinds of needs with various frame profiles. It is produced with TPE gasket and provides sealing with corner welding. It supports many auxiliary profiles and has a functional structure that you can use in all your projects. It has a slope that facilitates water drainage. It can work in harmony with mosquito nets, blinds and shutter systems. It has a perfect design in world standards that is compatible with all domestic or foreign accessories. S790 SLIDING Door and Window All profiles in the system comply with TS 5358 EN 12608.

92 mm derinliğinde sürme sistem. Sabit hareketli veya çift taraflı kanat uygulanabilir. Sineklik uygulaması vardır. 92 mm derinliğinde sineklik rayı üzerinde çerçeve profil sistemdir. Pencere yapımı için daha uygundur. Özellikle sıcak bölgelerde ekonomik olduğu için tercih edilmektedir.

Sürgülü pencere ve kapı istenen projelerde kullanılmak üzere 5 odacıklı ve oturma genişliği 92 mm olacak şekilde tasarlanmıştır. Aynı zamanda dekoratif görünümü ve muadillerine göre çok daha şık tasarımı sayesinde göze de hitap etmektedir.

S790 Sürme Pencere ve Kapı Serisi, çeşitli kasa profilleri ile her türlü ihtiyaca cevap verecek çözümler üretmektedir. TPE contalı olarak üretilmekte olup köşe kaynağı ile sızdırmazlık sağlanmaktadır. Birçok yardımcı profili destekler ve tüm projelerinizde kullanabileceğiniz fonksiyonel bir yapıya sahiptir. Su tahliyesini kolaylaştıran bir eğime sahiptir.

Sineklik, panjur ve kepenk sistemleri ile uyumlu çalışabilir. Yerli ve yabancı tüm aksesuarlar ile uyumlu dünya standartlarında kusursuz bir tasarıma sahiptir. S790 SÜRME Kapı ve Pencere Sistemdeki tüm profiller TS 5358 EN 12608'e uygundur.



SARAY[®]
all about aluminium



SİNEKLİKLİ SÜRME SERİ
SLIDING SYSTEM WITH FLYSCREEN

SLIDING S790

SARAY[®]
all about **aluminium**

Air Permeability	Clas 4 (EN 12207)	Perfect Sealing	A perfect sealing is achieved with three specially designed gaskets.
Water Permeability	Clas 9A (EN 12208)	Easy Cleaning	Easy to clean thanks to high quality surface profiles.
Wind Load Permeability	Clas C4 / B4	Adds Value	Windows consisting of profiles made of high quality lead-free formula add value to your buildings.
Mechanical Strength	Clas 4	Durability	Optimized profile wall thicknesses, the support sheet design and the aluminum profiles used in alustyle, superior durability is achieved in the windows.
Frame Width	92 mm	Superior Insulation	S 790 SLIDING Window and Door Systems, with its 5-chambered 92 mm wide profiles, provides performance in heat and sound insulation. Durable and flexible gaskets with high UV resistance, resistant to variables such as humidity or ambient temperature are used. Elastic gaskets in gray and black that do not leave stains It provides a high level of air, water, sound and dust insulation.
Frame Applications	S750	Sliding	Three Rails Frame / Fixed Partition / Fly Screen Frame
Chambers No	5	Design and Static Power	It provides visual integrity on the interior surface and joinery-wall joints with its self-rimmed frame profile. It is a series with a specially designed facade medium registration profile that provides high resistance to wind load in high-rise buildings.
Profile Class	A Class (TS EN 12608-1)	Accessory	You can choose all domestic and foreign window and door handles in different colors to adapt to the architectural line of your home. You can control the light by being in full harmony with the palace blinds system. It is suitable for mosquito net system application.



SARAY[®]
all about **aluminium**